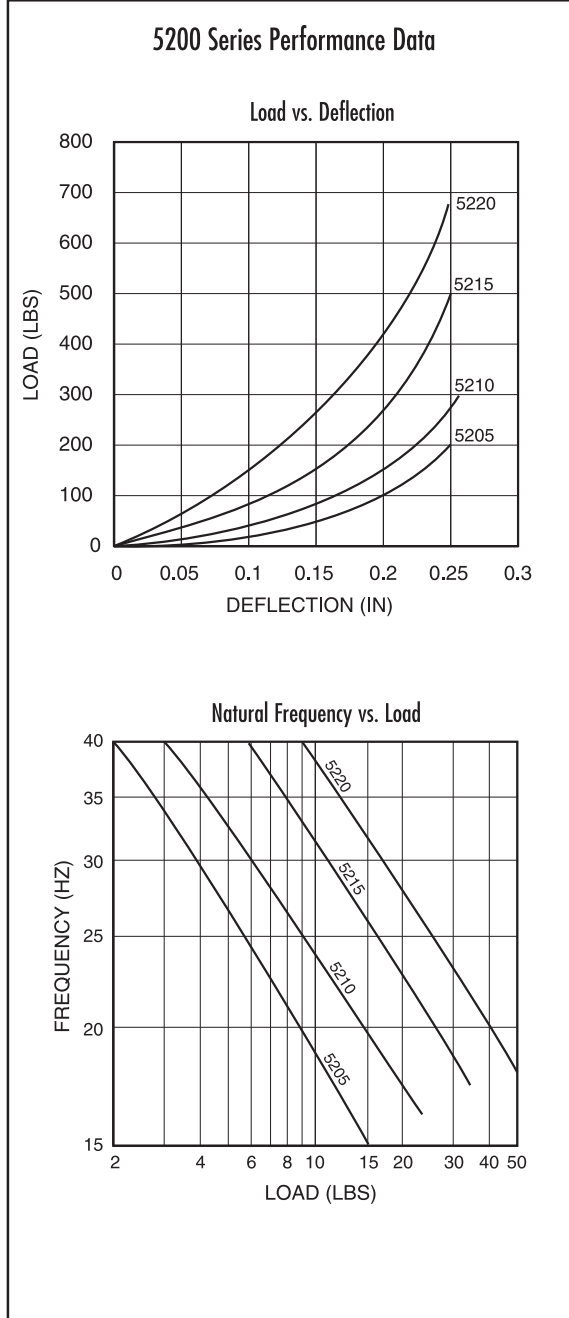
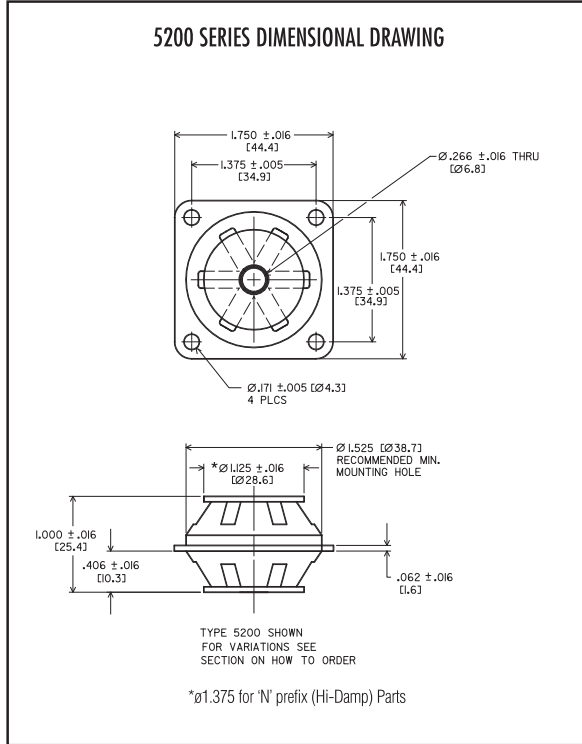


5200 MOUNT SERIES:

Dimensions & Performance Characteristics



5200 SERIES LOAD RATINGS		
Part #*	Maximum Load / Isolator (lbs.) - Stationary -	Maximum Load / Isolator (lbs.) - Mobile -
5205	15	4 - 7
5210	25	8 - 11
5215	35	12 - 17
5220	50	18 - 30

*Part Numbers shown above are basic numbers.
For complete part numbers please see page 193.